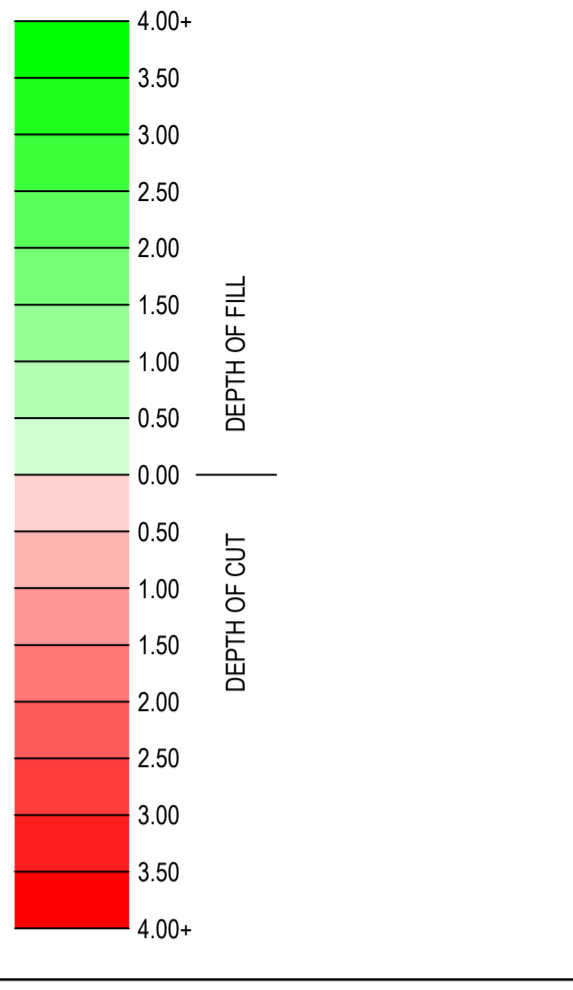


DEPTH RANGE LEGEND



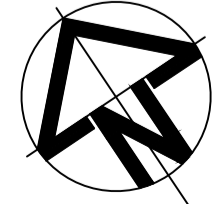
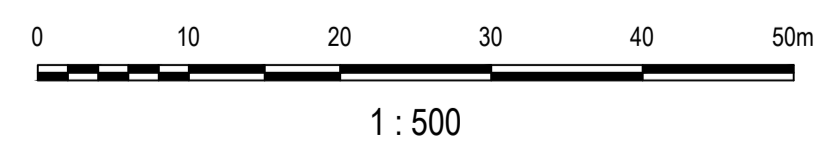
NOTES

1. EARTHWORKS VOLUMES ARE CALCULATED TO FINAL DESIGN SURFACE.
2. VOLUMES DO NOT TAKE INTO CONSIDERATION ANY REQUIREMENT FOR SITE STRIPPING / GRUBBING.
3. VOLUMES DO NOT INCLUDE RESHAPING OF INTERMEDIATE BUNDS.
4. VOLUMES ACCOUNT FOR BOXING OUT OF ECOMAX CELLS.
5. THIS EARTHWORKS PLAN DOES NOT SHOW THE EARTHWORKS RESHAPING REQUIRED TO THE INTERMEDIATE BUNDS IN THE 500m RANGE.

VOLUMES

50m RANGE -	
TOTAL AVAILABLE CUT	-2,806m ³
TOTAL FILL	2747m ³
TOTAL BALANCE	-59m ³ (EXPORT)
500m RANGE -	
TOTAL AVAILABLE CUT	-4,923m ³
TOTAL FILL	4,947m ³
TOTAL BALANCE	24m ³ (IMPORT)

Issue	Description	Date
05	FOR TENDER	27/05/16
04	FOR TENDER	24/03/16
03	FOR INFORMATION	26/02/16
02	ISSUE FOR DEVELOPMENT APPLICATION	21/01/16
01	ISSUE FOR 50% CONCEPT	18/12/15



Client



Office of Sport


Status	TENDER NOT TO BE USED FOR CONSTRUCTION	
Scales	1 : 500	Current Issue Signatures
Original Size	A1	Drawn M. OLAYA
Height Datum	AHD	Designed B. CHISWELL
Grid	MGA	Checked M. KURTZ
Filename:	C-SC-101-AA008613-nsd-BulkEarthworksPlanSheet1.dwg	

Project

SOUTHERN HIGHLANDS REGIONAL SHOOTING COMPLEX

Title

EARTHWORKS PLAN SHEET 1

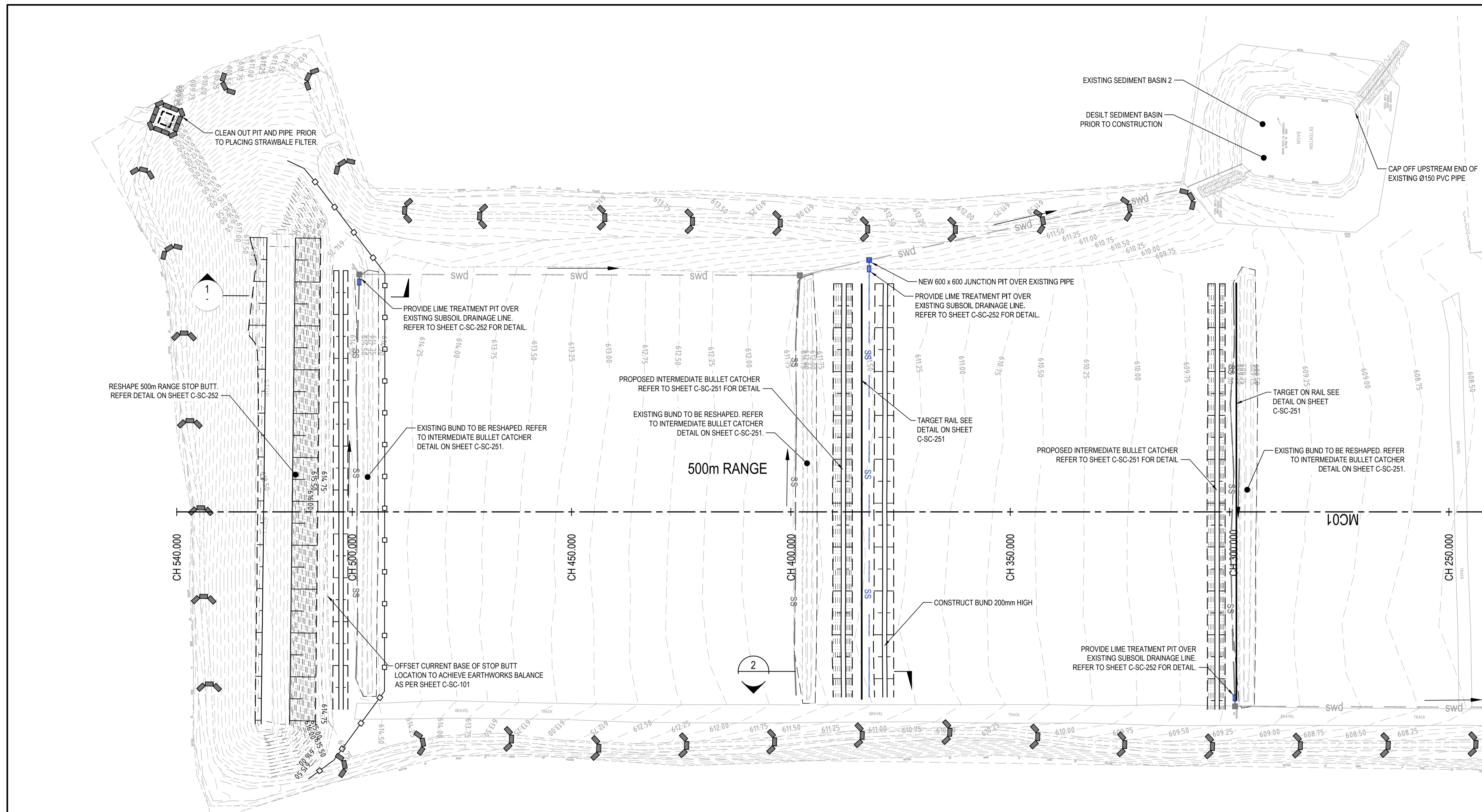


Arcadis Australia Pacific Pty Limited
Level 5, 141 Walker Street
NORTH SYDNEY NSW 2060
ABN 76 104 485 289

Tel: +61 (0)2 8907 9000
Fax: +61 (0)2 8907 9001
www.arcadis.com

Drawing No. | Project No. | Issue

C-SC-101 - AA008613 - 05

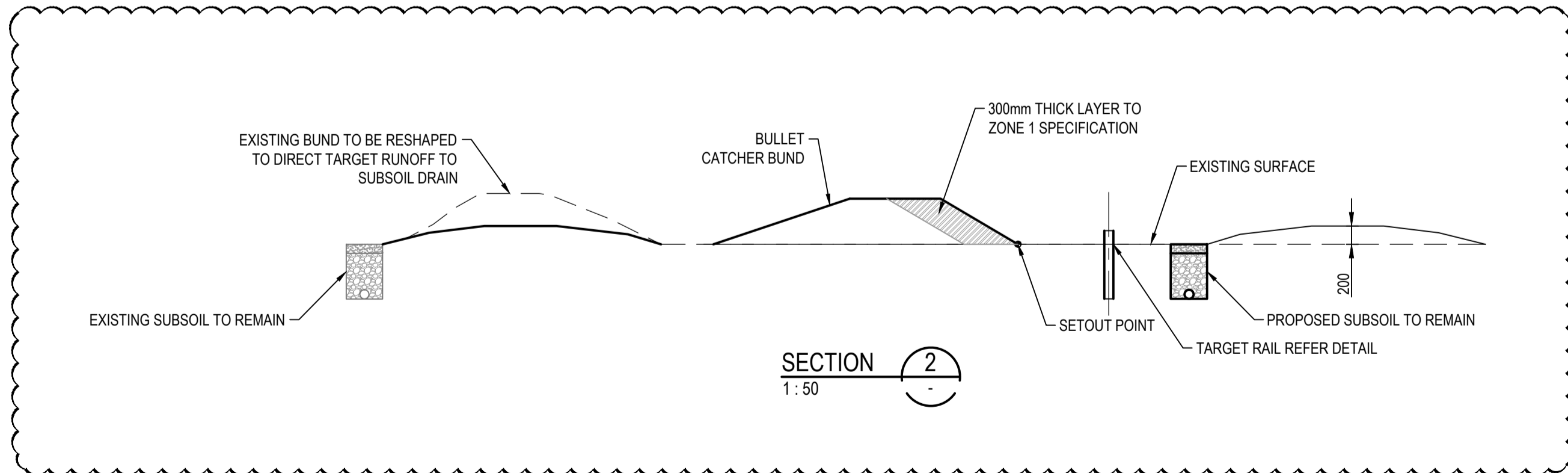
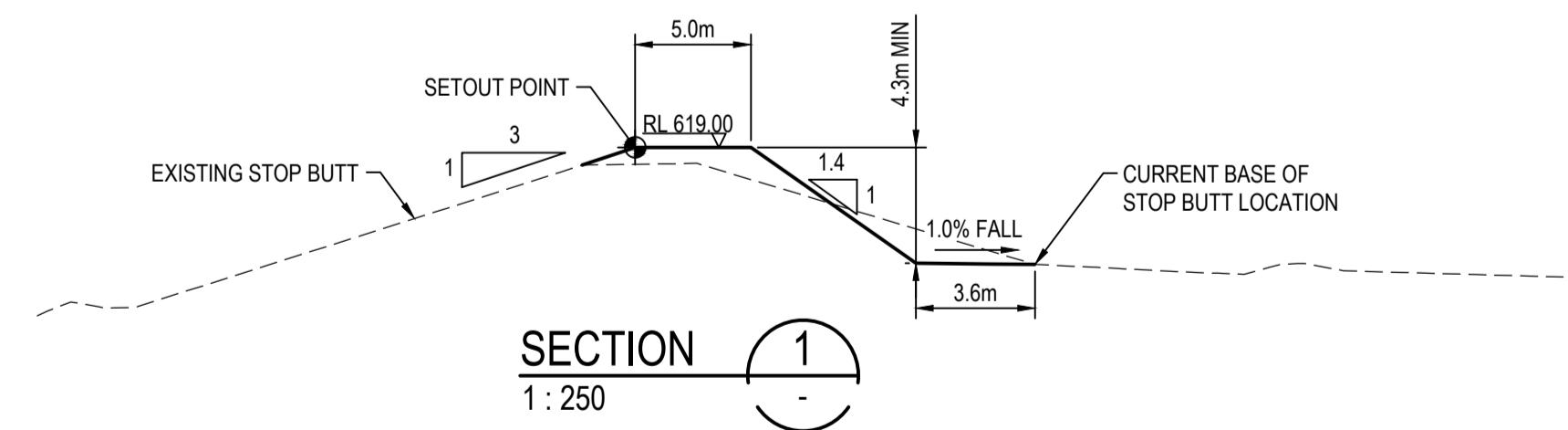


LEGEND	
	SEDIMENT FENCE (SD-6-8) REFER C-SC-251 FOR DETAILS
	STRAW BALE FILTER (SD-6-7) REFER C-SC-251 FOR DETAILS
	GEOTEXTILE INLET FILTER (SD-6-11) REFER C-SC-251 FOR DETAILS
	PROPOSED CONTOURS
	EXISTING CONTOURS
	EXISTING STORMWATER DRAINAGE
	EXISTING SUBSOIL DRAINAGE
	EXISTING PIT
	PROPOSED SUBSOIL DRAINAGE REFER C-SC-251 FOR DETAIL
	PROPOSED PIT
	PROPOSED SWALE DRAIN REFER C-SC-251 FOR DETAIL

- NOTES:**
- ALL EXISTING SWALES TO BE INSPECTED AND WHERE REQUIRED REINSTATE TO HAVE A MINIMUM 300mm DEPTH.
 - TEMPORARY SOIL AND WATER MANAGEMENT STRUCTURES WILL BE REMOVED ONLY AFTER THE LANDS THEY ARE PROTECTING ARE REHABILITATED/STABILISED.
 - SEDIMENT AND EROSION CONTROLS TO REMAIN IN PLACE UNTIL EFFECTIVE REVEGETATION IS ESTABLISHED.
 - PRIOR TO DE-SILTING DAMS ENSURE THAT ANY WATER IS USED TO WATER GROUND COVER ACROSS THE RANGE.

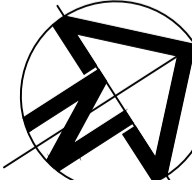
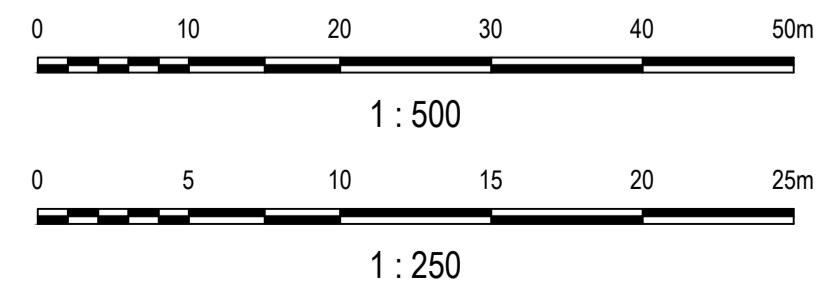
REFER C-SC-202 FOR CONTINUATION

PLAN
1:500



SECTION 75W PLANS

Issue	Description	Date
09	DETAILS UPDATED	09/06/16
08	DETAILS UPDATED	31/05/16
07	FOR TENDER	27/05/16
06	EROSION CONTROL NOTE ADDED	16/05/16
05	EROSION CONTROL MEASURES ADDED	13/05/16
04	FOR TENDER	24/03/16
03	FOR INFORMATION	26/02/16
02	ISSUE FOR DEVELOPMENT APPLICATION	21/01/16
01	ISSUE FOR 50% CONCEPT	18/12/15



Client

Office of Sport

TENDER NOT TO BE USED FOR CONSTRUCTION	
Scalcs	1:500 1:250 1:50
Original Size	A1
Height Datum	AHD
Grid	MGA
Current Issue Signatures	
Drawn	M. OLAYA
Designed	B. CHISWELL
Checked	M. KURTZ
Approved	A. BYRNE
Filename: C-SC-201-AA008613-nsd-CivilWorksAndStormwaterPlanSheet1.dwg	

Project

SOUTHERN HIGHLANDS
REGIONAL SHOOTING COMPLEX

Title

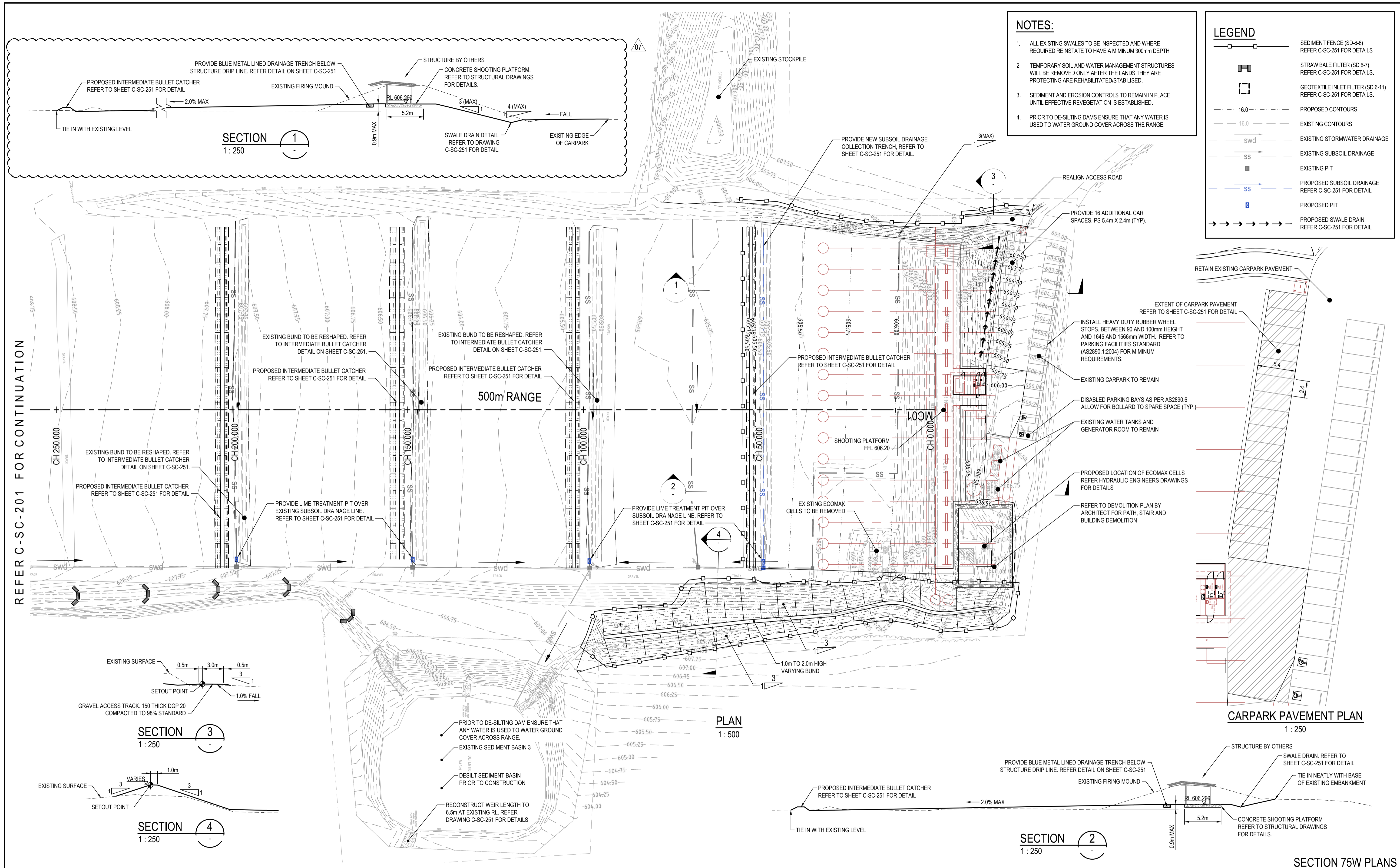
CIVIL WORKS PLAN
SHEET 1

Arcadis Australia Pacific Pty Limited
Level 5, 141 Walker Street
NORTH SYDNEY NSW 2060
ABN 76 104 485 289

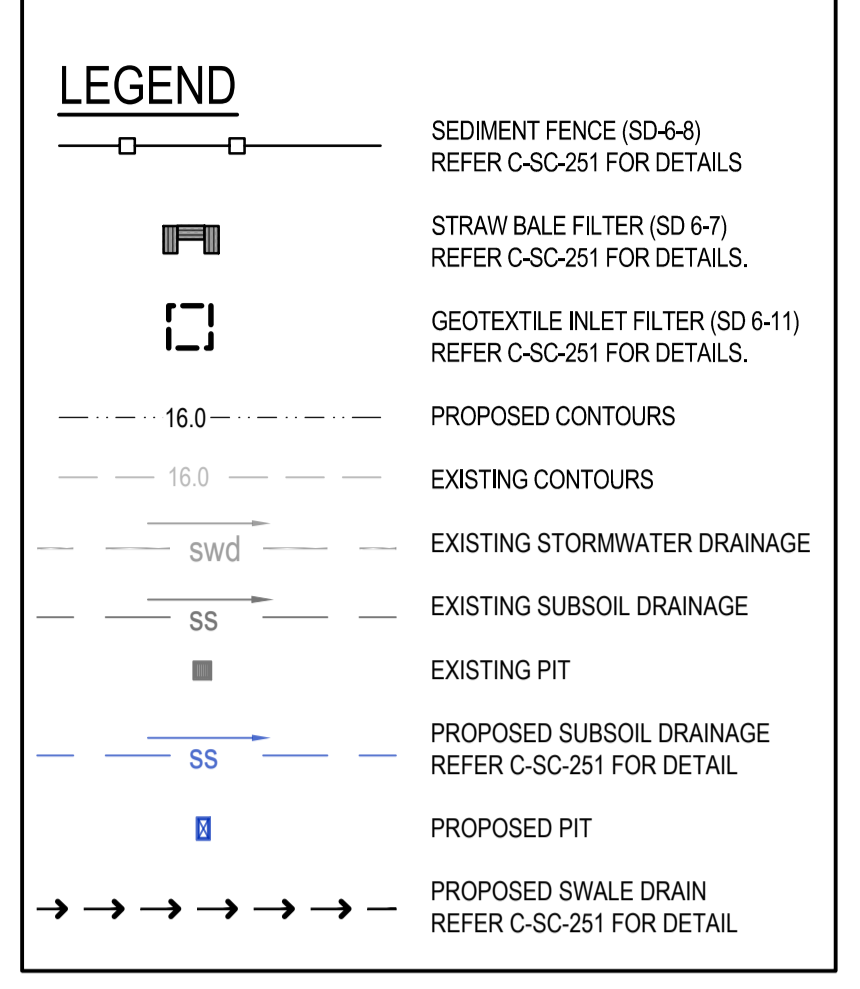
Tel: +61 (0)2 8907 9000
Fax: +61 (0)2 8907 9001
www.arcadis.com

Drawing No. Project No. Issue

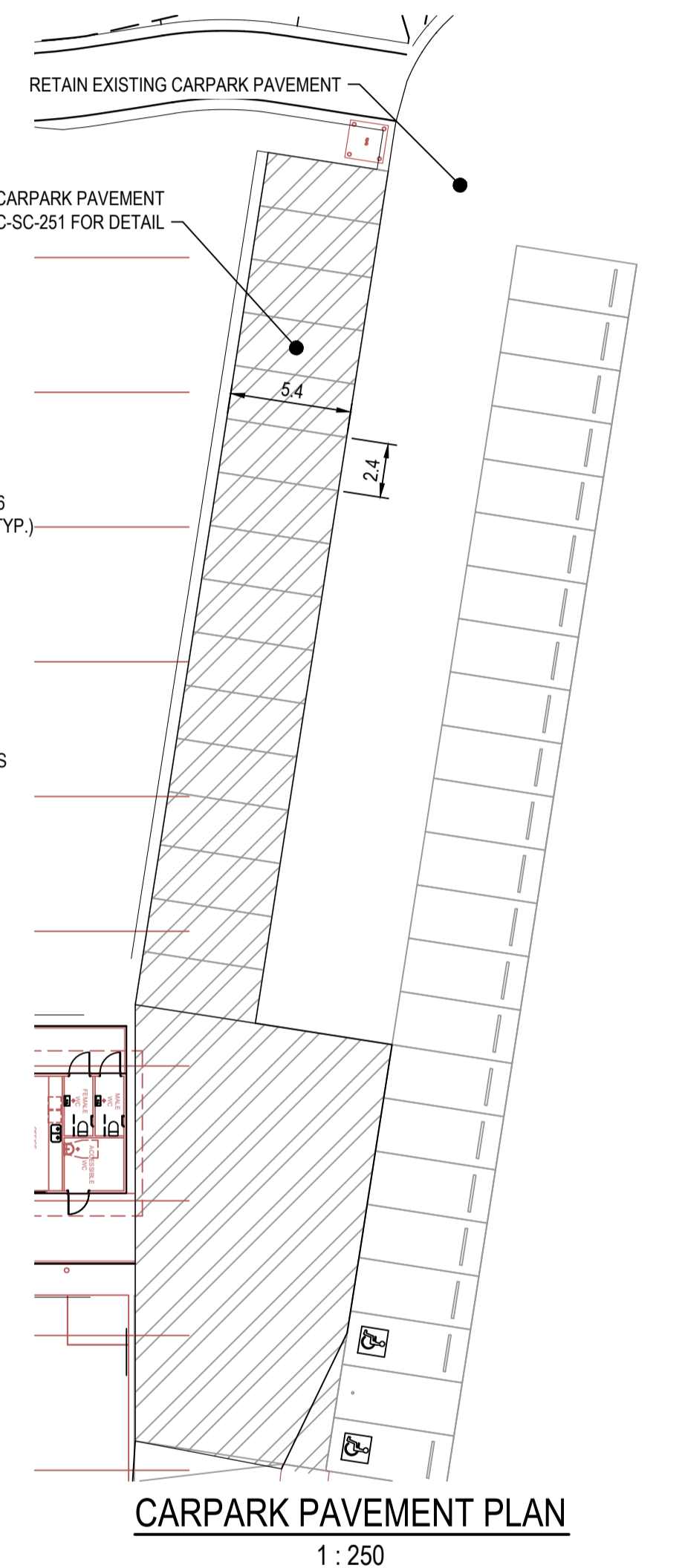
C-SC-201 - AA008613 - 09



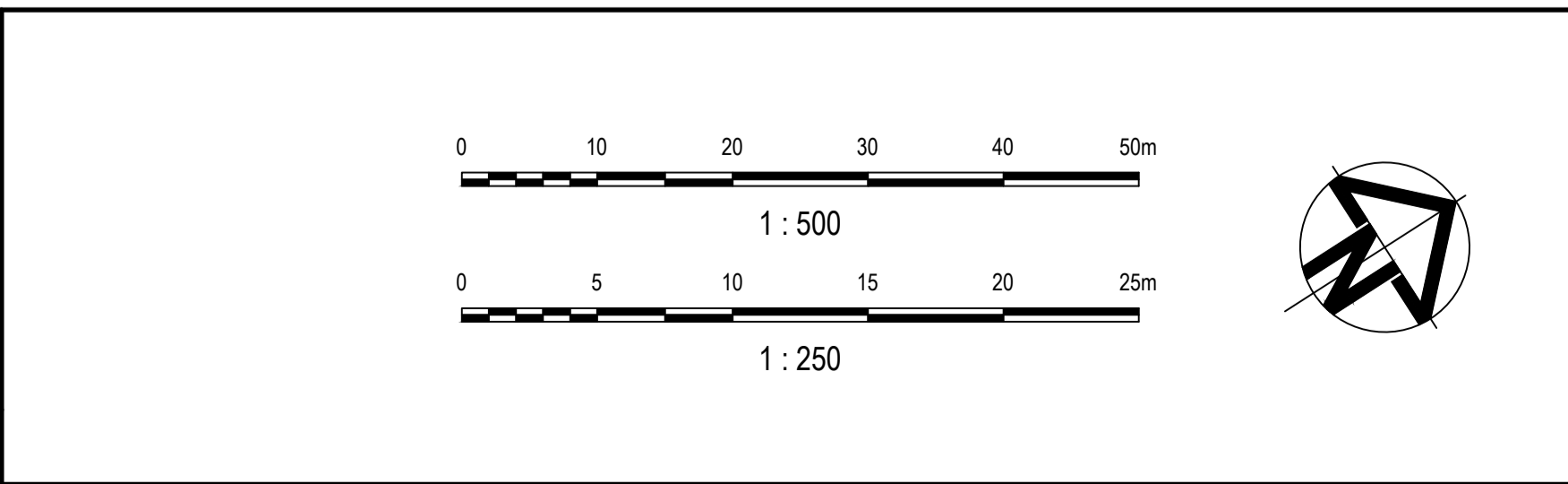
- NOTES:**
- ALL EXISTING SWALES TO BE INSPECTED AND WHERE REQUIRED REINSTATE TO HAVE A MINIMUM 300mm DEPTH.
 - TEMPORARY SOIL AND WATER MANAGEMENT STRUCTURES WILL BE REMOVED ONLY AFTER THE LANDS THEY ARE PROTECTING ARE REHABILITATED/STABILISED.
 - SEDIMENT AND EROSION CONTROLS TO REMAIN IN PLACE UNTIL EFFECTIVE REVEGETATION IS ESTABLISHED.
 - PRIOR TO DE-SILTING DAMS ENSURE THAT ANY WATER IS USED TO WATER GROUND COVER ACROSS THE RANGE.



REFER C-SC-201 FOR CONTINUATION



Issue	Description	Date
07	DETAILS UPDATED	31/05/16
06	FOR TENDER	27/05/16
05	EROSION CONTROL MEASURES ADDED	13/05/16
04	FOR TENDER	24/03/16
03	FOR INFORMATION	26/02/16
02	ISSUE FOR DEVELOPMENT APPLICATION	21/01/16
01	ISSUE FOR 50% CONCEPT	18/12/15



Status TENDER NOT TO BE USED FOR CONSTRUCTION	
Scales 1: 500 1: 250	Current Issue Signatures Drawn M. OLAYA Designed B. CHISWELL
Original Size A1	Checked M. KURTZ
Height Datum AHD	Approved A. BYRNE
Grid MGA	
Filename: C-SC-202-AA008613-nsd-CivilWorksAndStormwaterPlanSheet2.dwg	

Project
SOUTHERN HIGHLANDS REGIONAL SHOOTING COMPLEX

Title
CIVIL WORKS PLAN SHEET 2

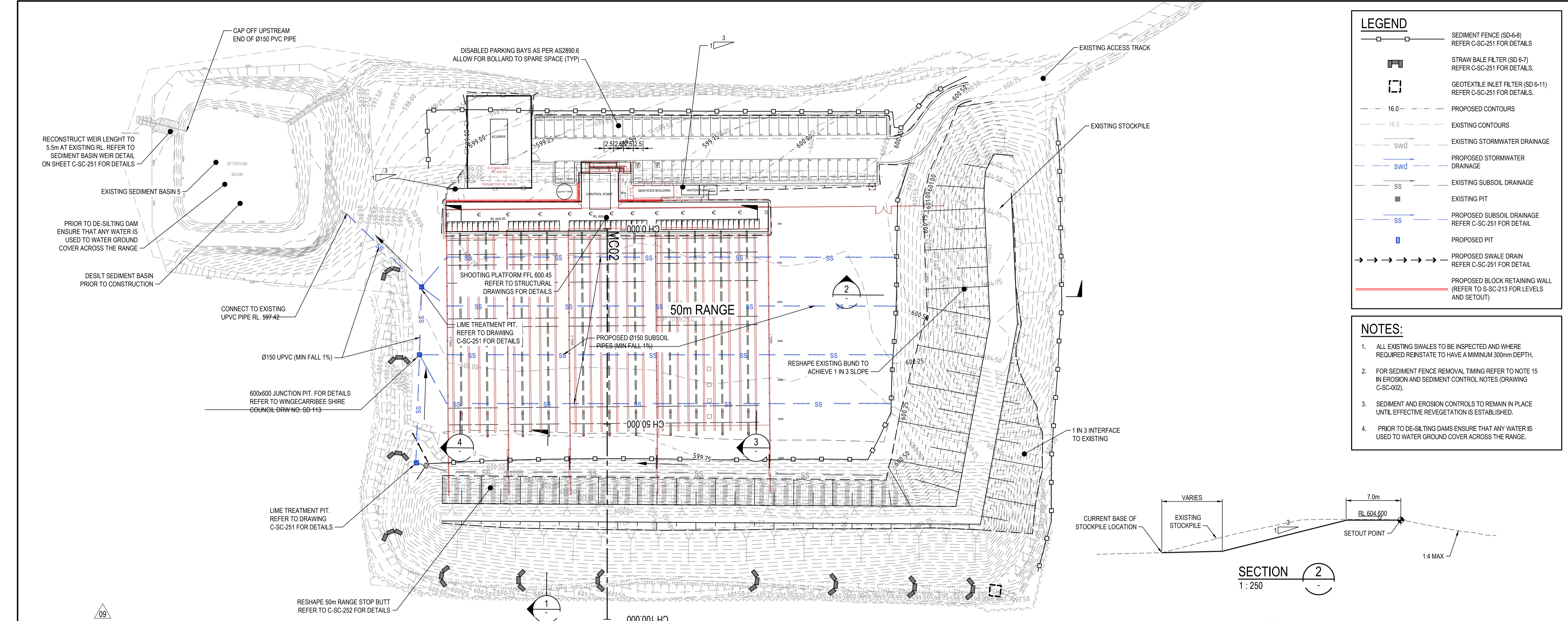
ARCADIS

Arcadis Australia Pacific Pty Limited
Level 5, 141 Walker Street
NORTH SYDNEY NSW 2060
ABN 76 104 485 289

Tel: +61 (0)2 8907 9000
Fax: +61 (0)2 8907 9001
www.arcadis.com

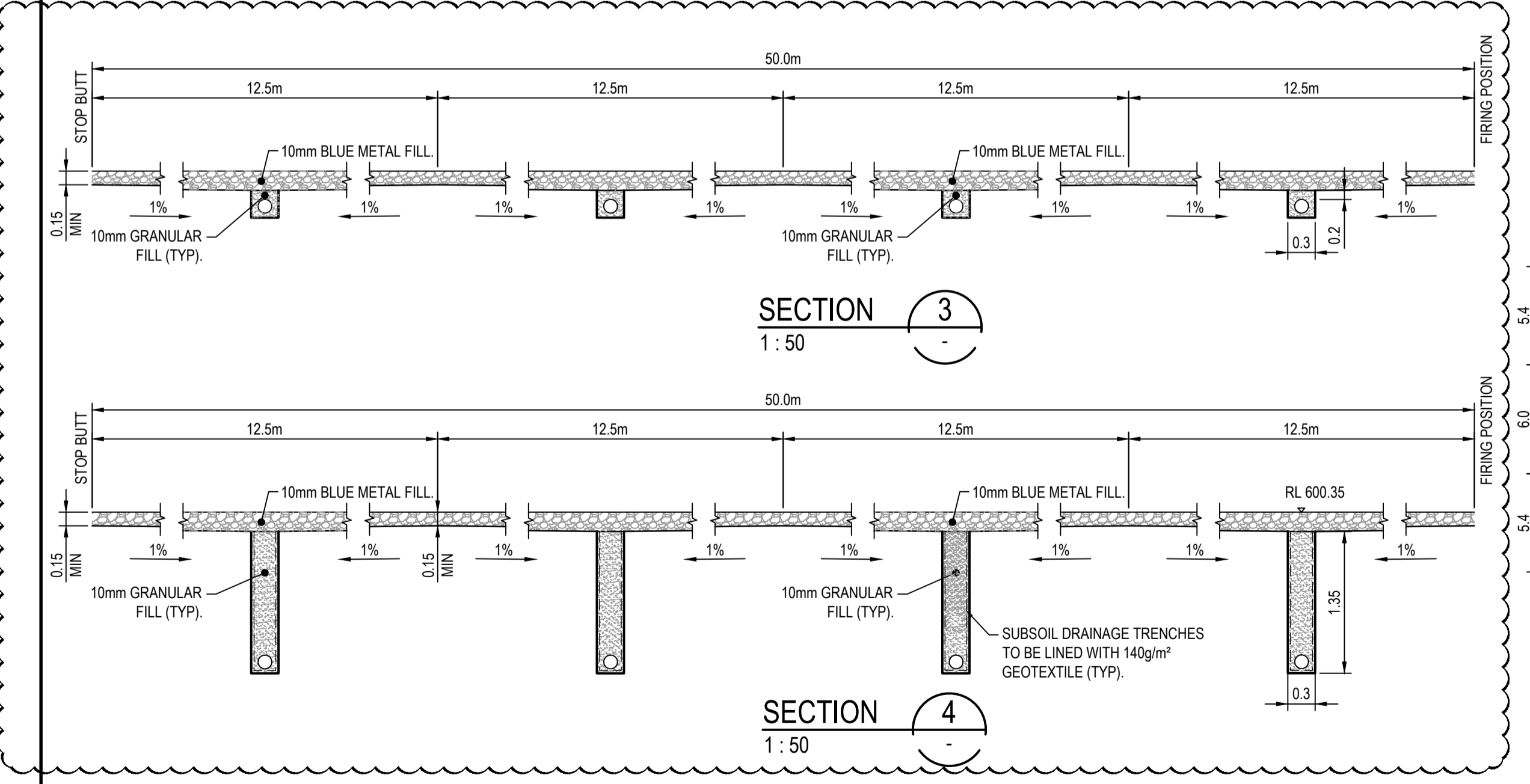
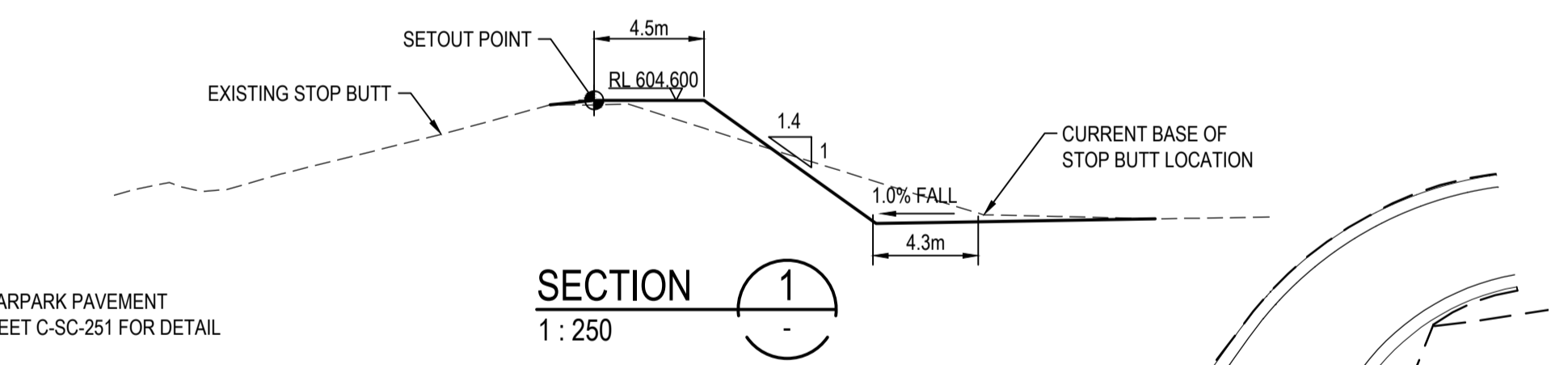
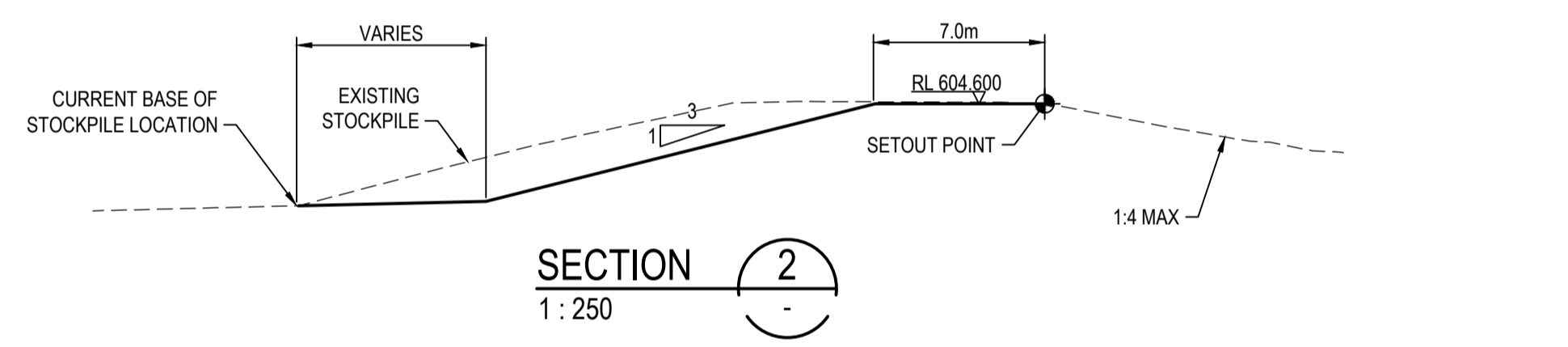
Drawing No. C-SC-202
Project No. AA008613
Issue 07

SECTION 75W PLANS

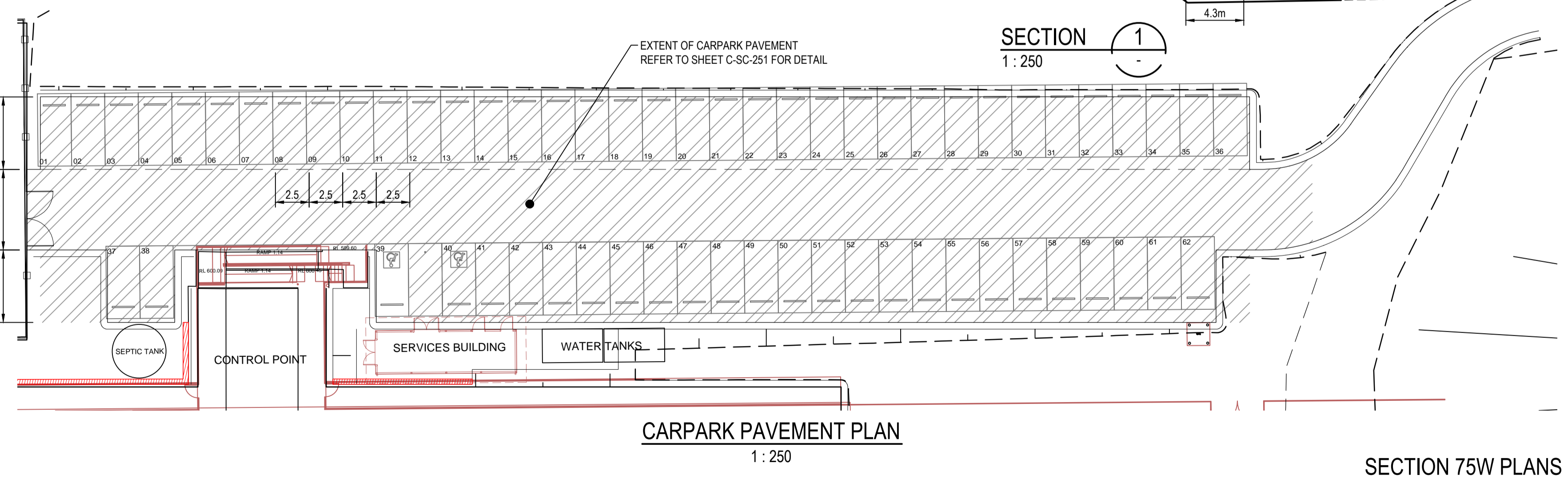


LEGEND	
	SEDIMENT FENCE (SD-6-8) REFER C-SC-251 FOR DETAILS
	STRAW BALE FILTER (SD-6-7) REFER C-SC-251 FOR DETAILS.
	GEOTEXTILE INLET FILTER (SD-6-11) REFER C-SC-251 FOR DETAILS.
	16.0 --- PROPOSED CONTOURS
	16.0 - - - EXISTING CONTOURS
	SWD --- EXISTING STORMWATER DRAINAGE
	swd --- PROPOSED STORMWATER DRAINAGE
	SS --- EXISTING SUBSOIL DRAINAGE
	■ EXISTING PIT
	SS --- PROPOSED SUBSOIL DRAINAGE REFER C-SC-251 FOR DETAIL
	■ PROPOSED PIT
	→ → → → PROPOSED SWALE DRAIN REFER C-SC-251 FOR DETAIL
	--- PROPOSED BLOCK RETAINING WALL (REFER TO S-SC-213 FOR LEVELS AND SETOUT)

- NOTES:**
- ALL EXISTING SWALES TO BE INSPECTED AND WHERE REQUIRED REINSTATE TO HAVE A MINIMUM 300mm DEPTH.
 - FOR SEDIMENT FENCE REMOVAL TIMING REFER TO NOTE 15 IN EROSION AND SEDIMENT CONTROL NOTES (DRAWING C-SC-002).
 - SEDIMENT AND EROSION CONTROLS TO REMAIN IN PLACE UNTIL EFFECTIVE REVEGETATION IS ESTABLISHED.
 - PRIOR TO DE-SILTING DAMS ENSURE THAT ANY WATER IS USED TO WATER GROUND COVER ACROSS THE RANGE.

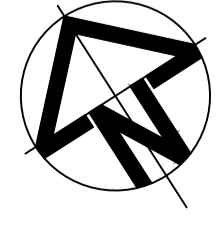
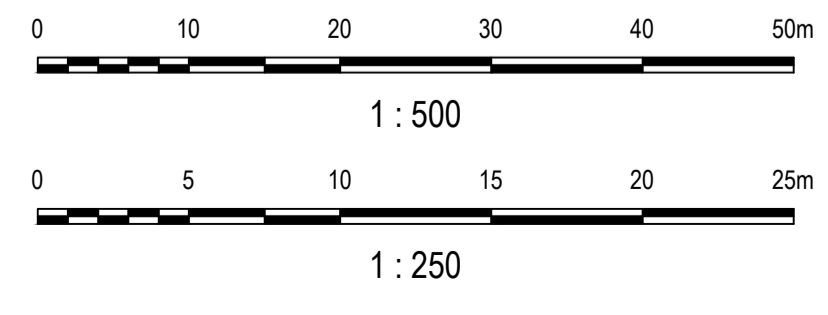


PLAN
1:500



SECTION 75W PLANS

Issue	Description	Date
09	DETAILS UPDATED	09/06/16
08	DETAILS UPDATED	31/05/16
07	FOR TENDER	27/05/16
06	DRAINAGE ADDED	26/05/16
05	EROSION CONTROL MEASURES ADDED	13/05/16
04	FOR TENDER	24/03/16
03	FOR INFORMATION	26/02/16
02	ISSUE FOR DEVELOPMENT APPLICATION	21/01/16
01	ISSUE FOR 50% CONCEPT	18/12/15



Client

TENDER	
NOT TO BE USED FOR CONSTRUCTION	
Drawn	M. OLAYA
Designed	B. CHISWELL
Checked	M. KURTZ
Approved	A. BYRNE
Filename: C-SC-203-AA008613-nsd-CivilWorksAndStormwaterPlanSheet3.dwg	

Project

SOUTHERN HIGHLANDS REGIONAL SHOOTING COMPLEX

Title

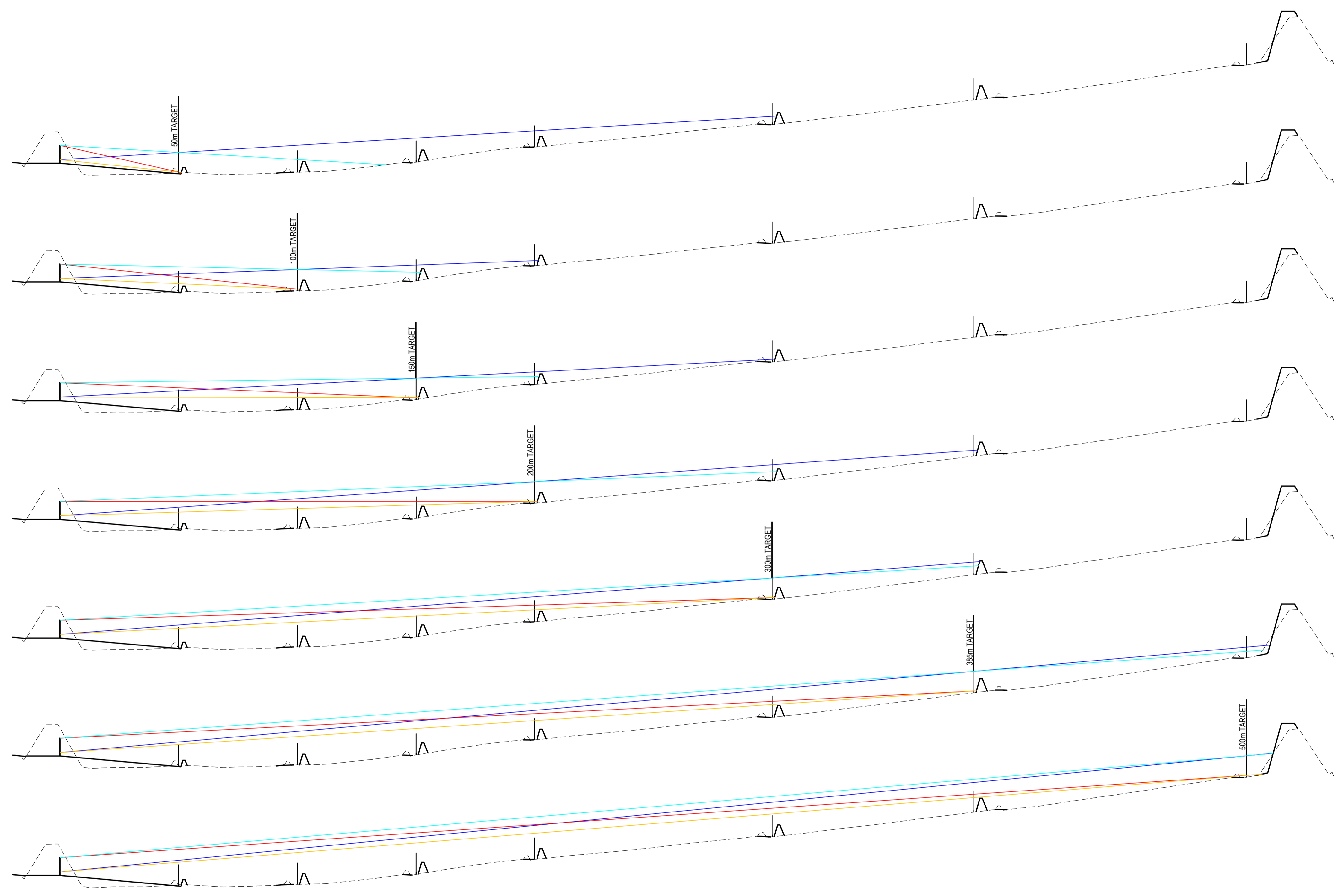
CIVIL WORKS PLAN SHEET 3

Arcadis Australia Pacific Pty Limited
Level 5, 141 Walker Street
NORTH SYDNEY NSW 2060
ABN 76 104 485 289

Tel: +61 (0)2 8907 9000
Fax: +61 (0)2 8907 9001
www.arcadis.com

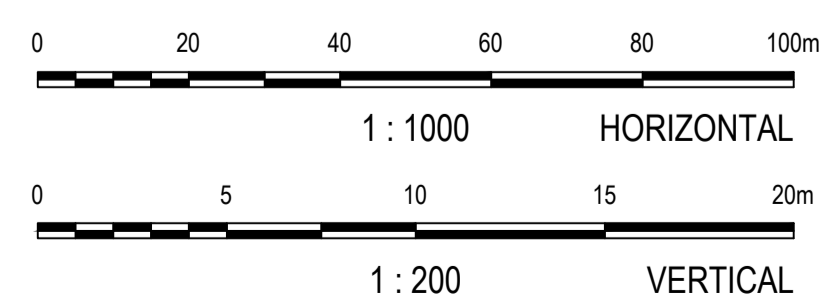
Drawing No. C-SC-203 - AA008613 - 09
Project No. -
Issue -

LEGEND	
	PRONE POSITION (0.3m) TO TOP OF TARGET (1.8m)
	STANDING POSITION (1.5m) TO BOTTOM OF TARGET (0.15m)
	PRONE POSITION (0.3) TO BOTTOM OF TARGET (0.15m)
	STANDING POSITION (1.5m) TO TOP OF TARGET (1.8m)



SECTION 75W PLANS

Issue	Description	Date
04	FOR TENDER	24/03/16
03	FOR INFORMATION	26/02/16
02	ISSUE FOR DEVELOPMENT APPLICATION	21/01/16
01	ISSUE FOR 50% CONCEPT	18/12/15



Client

Status TENDER NOT TO BE USED FOR CONSTRUCTION	
Scales	1 : 1000 (H) 1 : 200 (V)
Original Size	A1
Height Datum	AHD
Grid	MGA
Filename:	C-SC-231-AA008613-nsd-500mRangeBulletProjections.dwg

Project

SOUTHERN HIGHLANDS REGIONAL SHOOTING COMPLEX

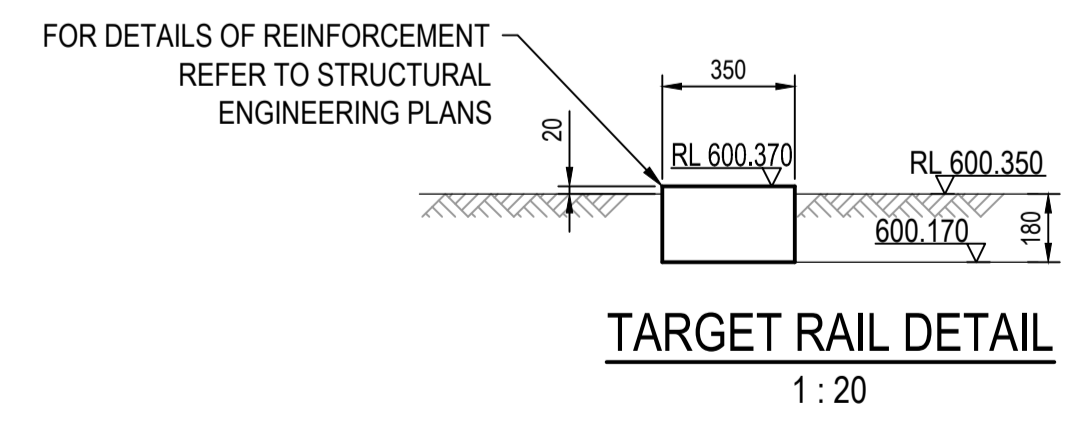
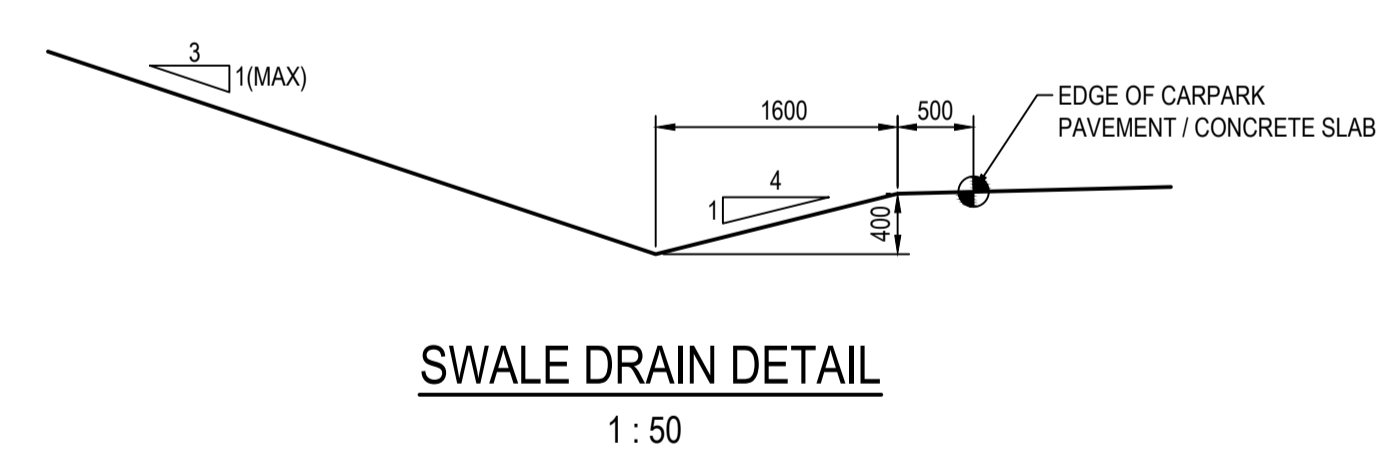
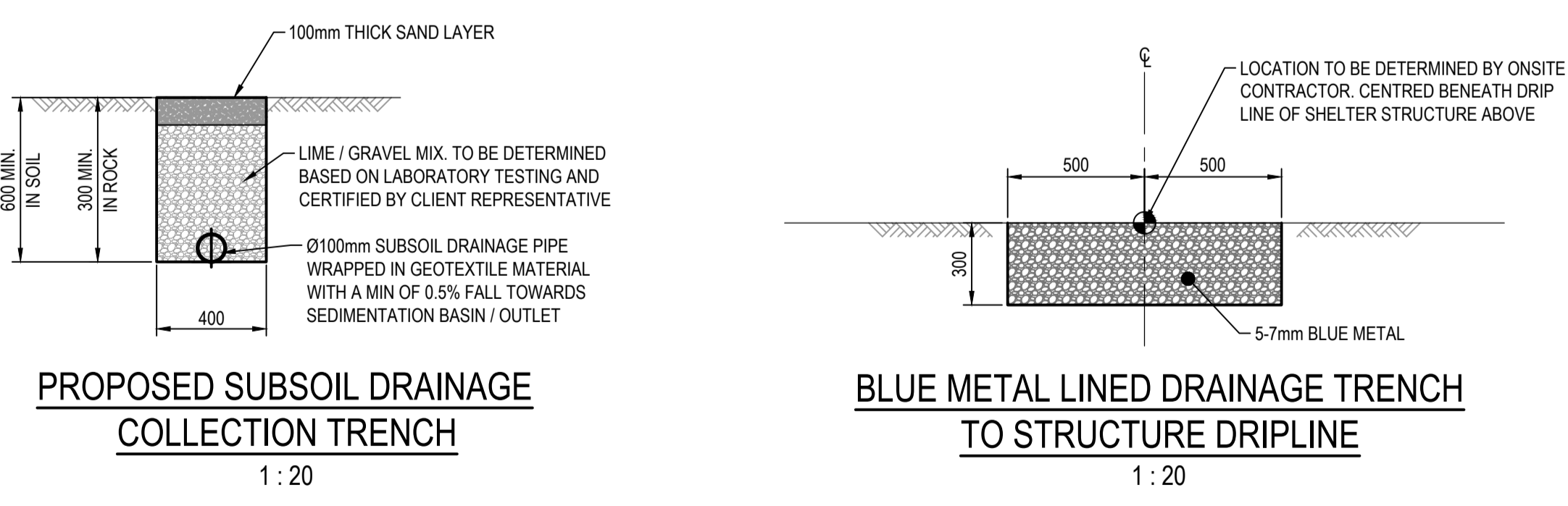
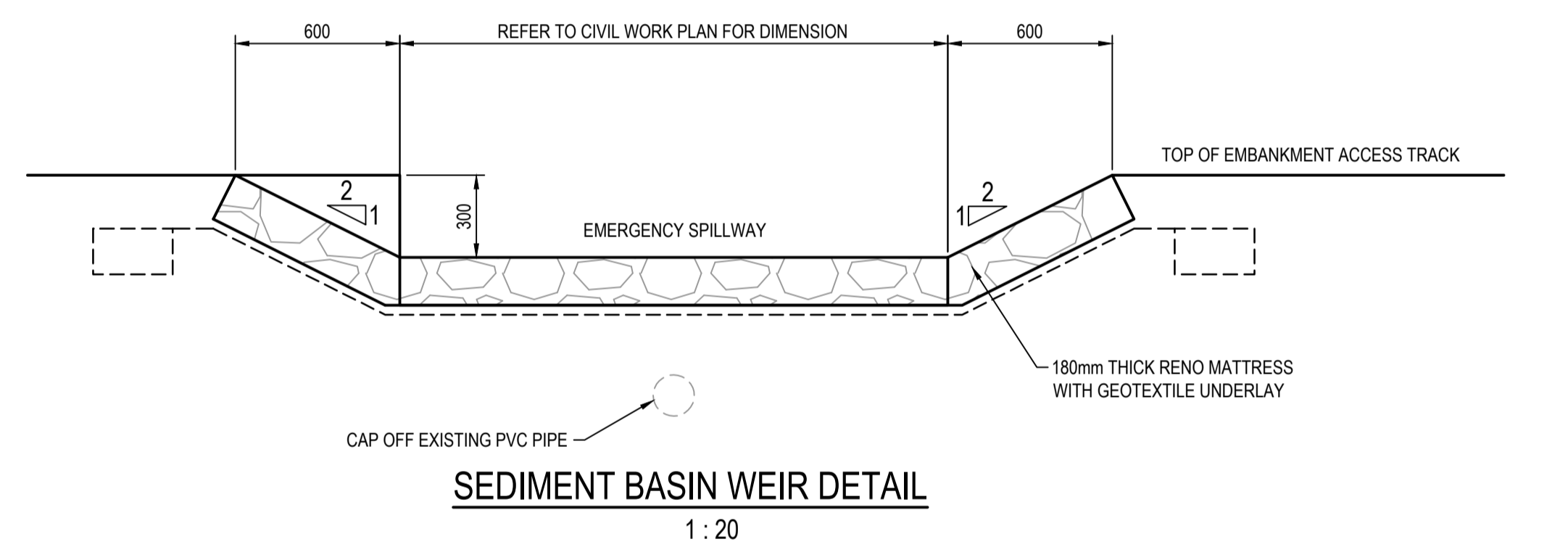
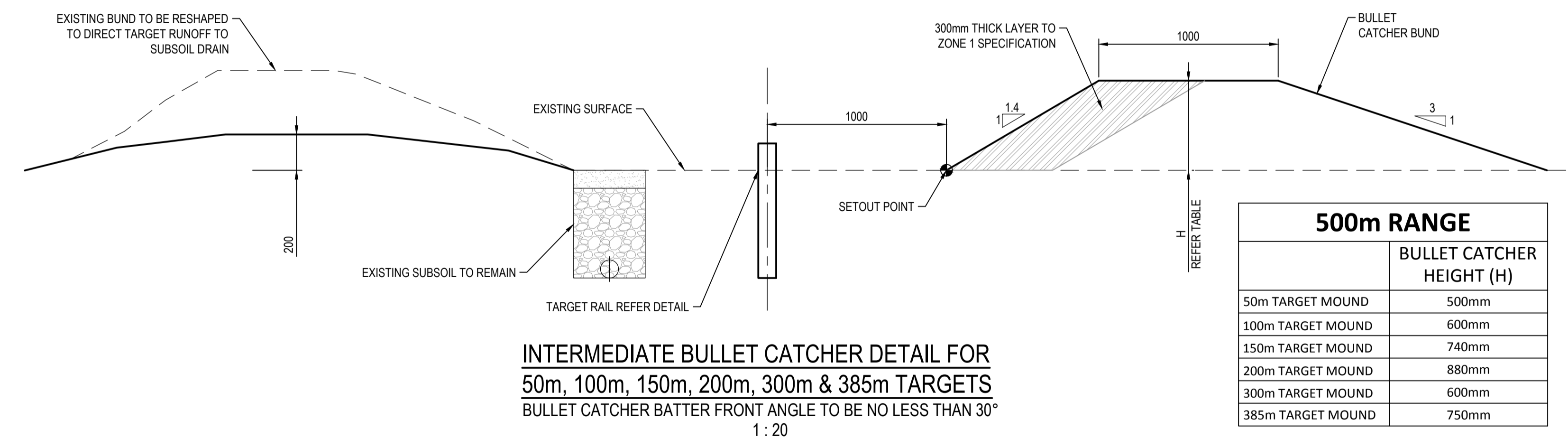
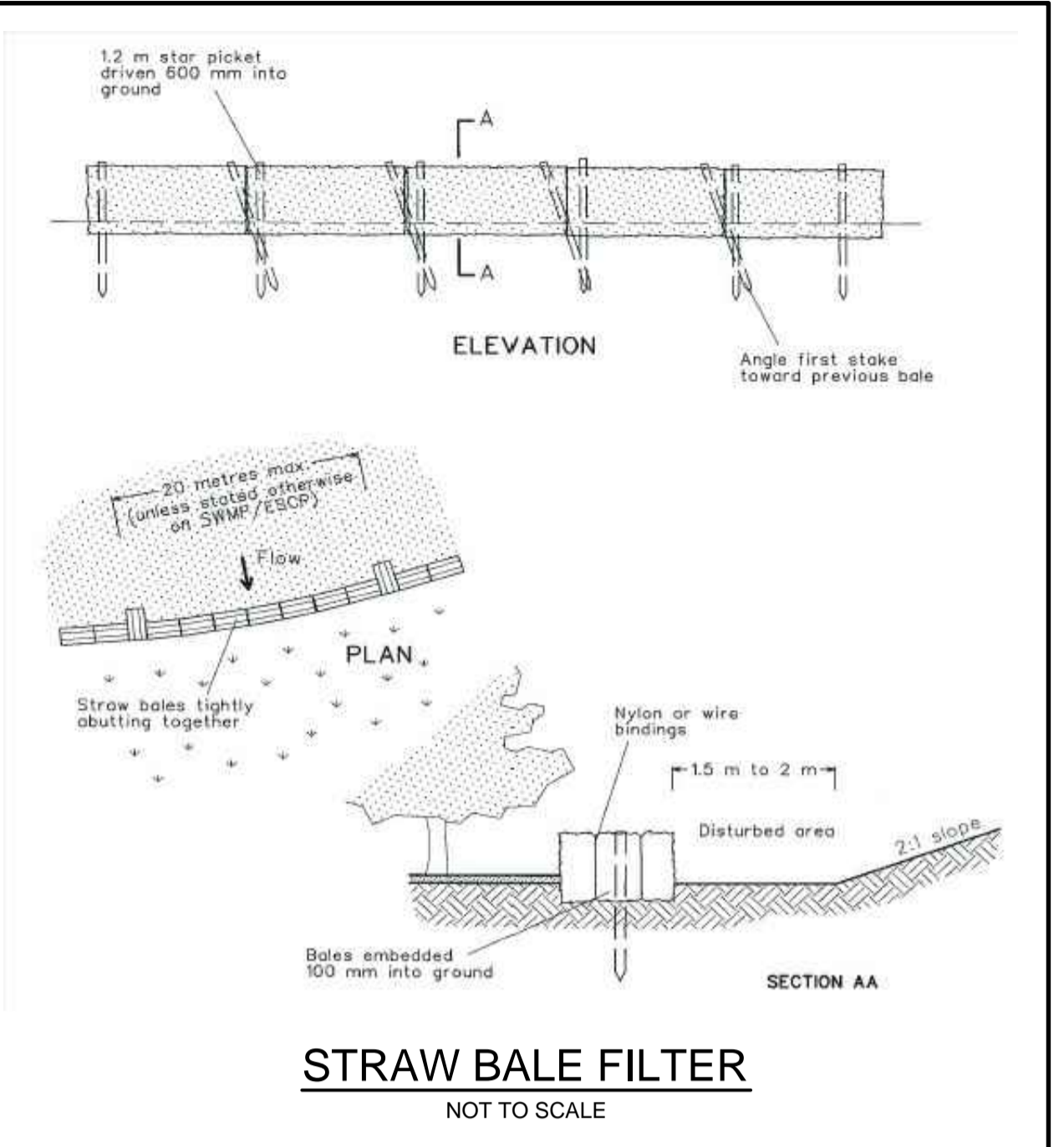
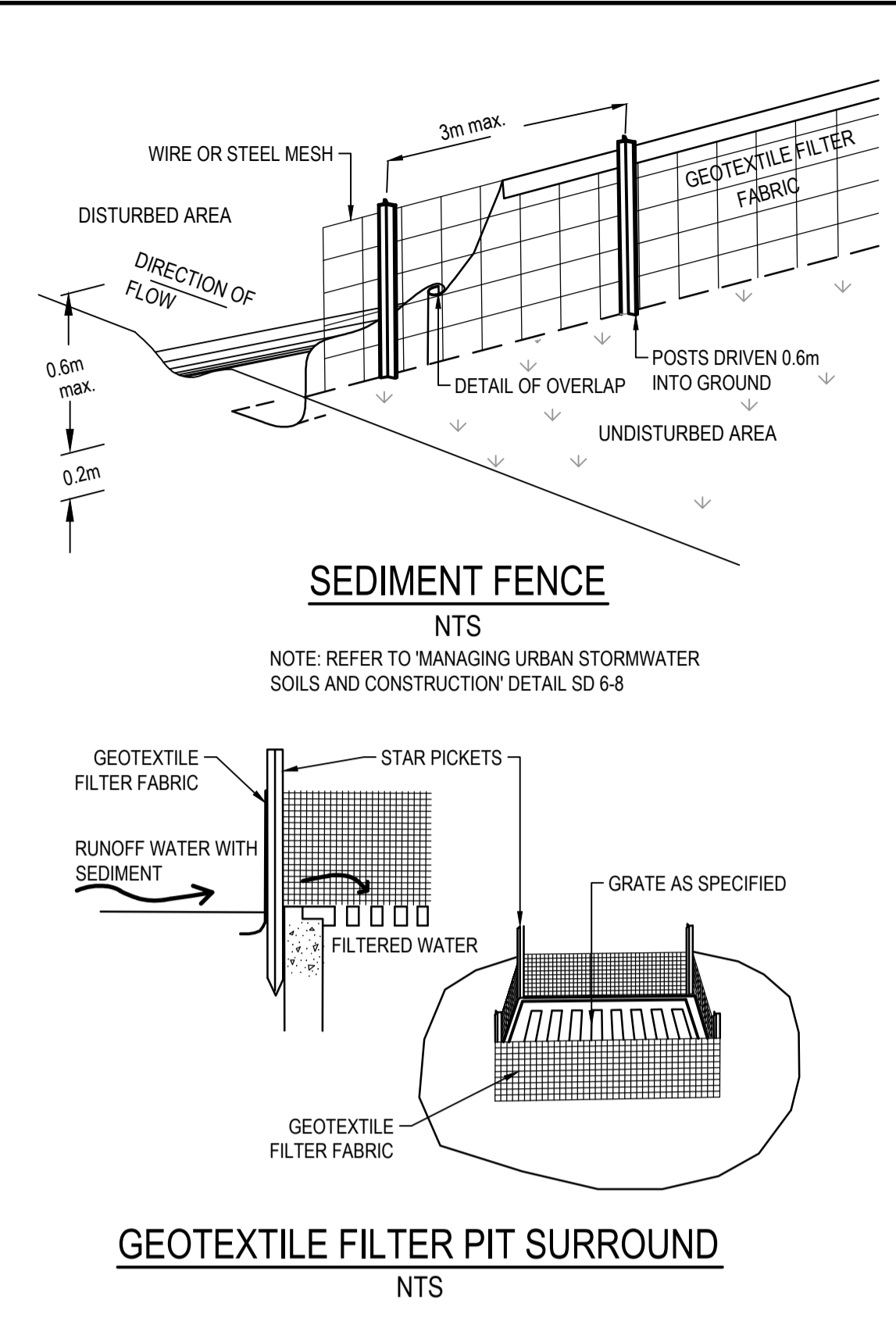
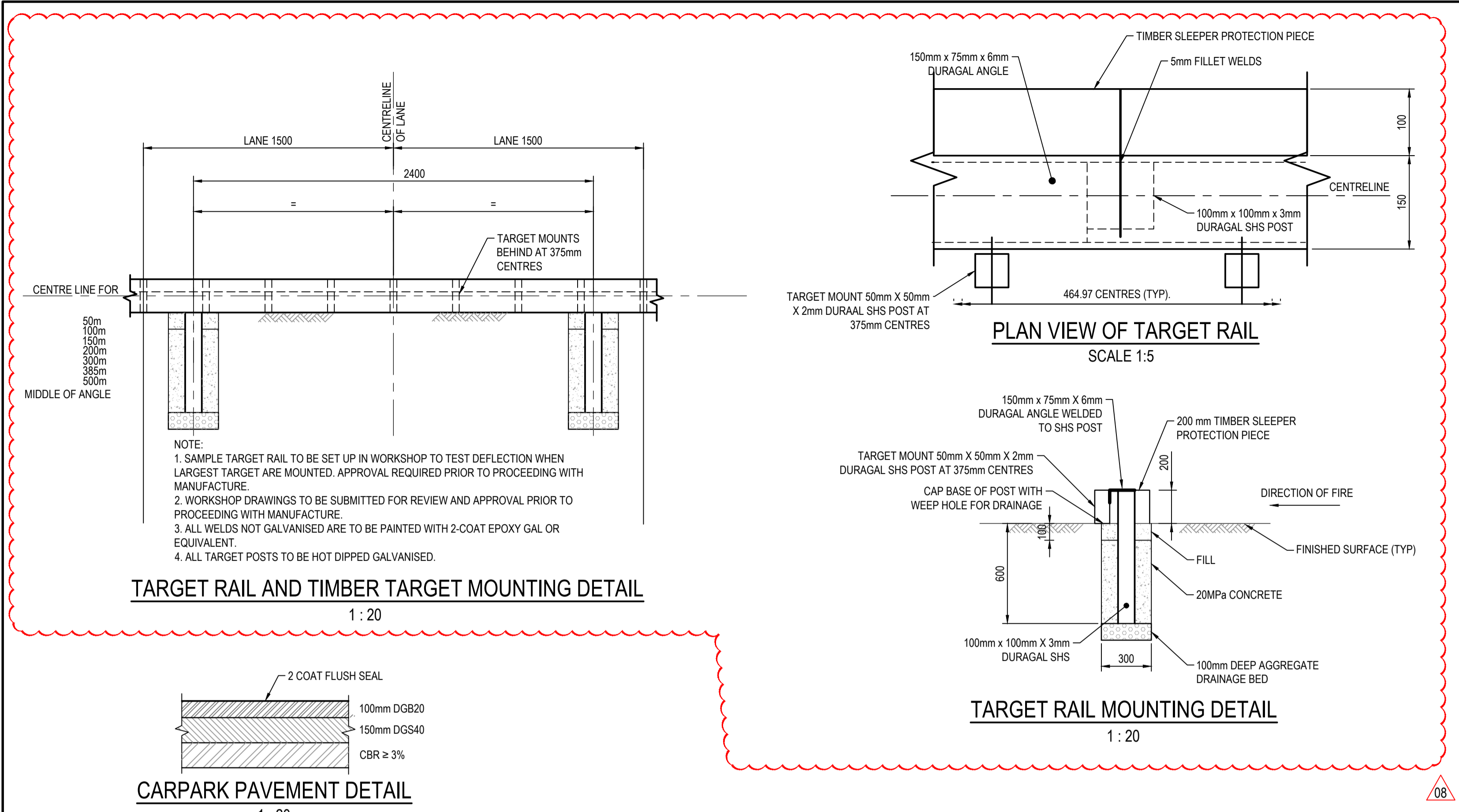
Title

500m RANGE BULLET PROJECTIONS

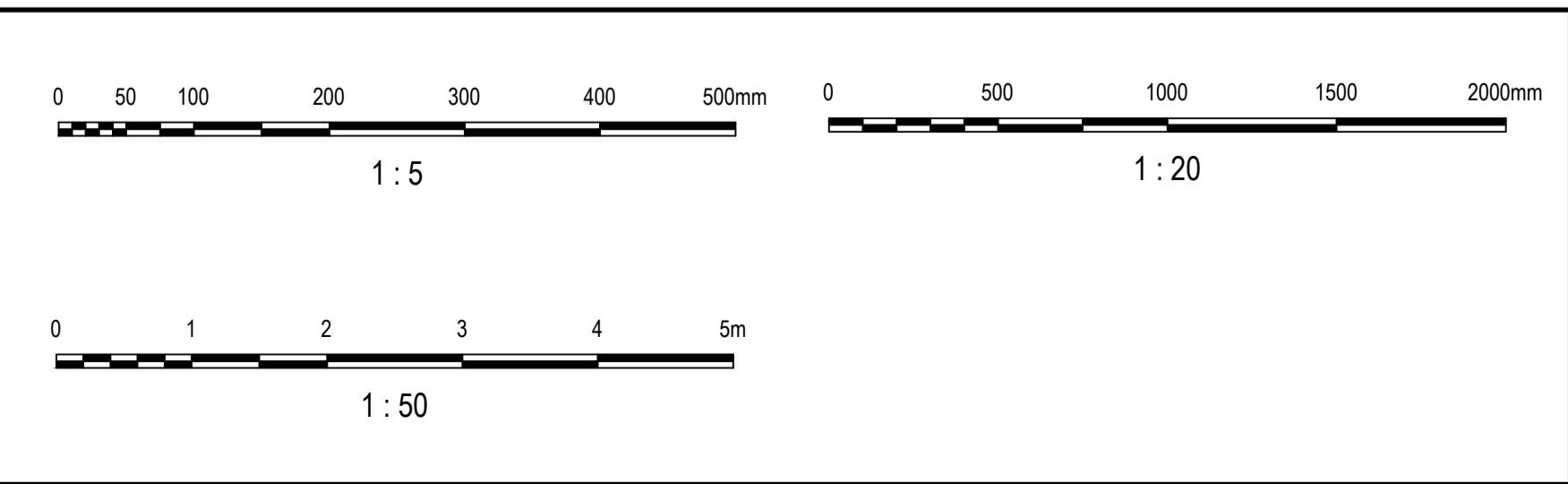
Arcadis Australia Pacific Pty Limited
Level 5, 141 Walker Street
NORTH SYDNEY NSW 2060
ABN 76 104 485 289

Tel: +61 (0)2 8907 9000
Fax: +61 (0)2 8907 9001
www.arcadis.com

Drawing No.	Project No.	Issue
C-SC-231	AA008613	04



Issue	Description	Date
08	DETAILS UPDATED	09/06/16
07	DETAILS UPDATED	31/05/16
06	FOR TENDER	27/05/16
05	EROSION CONTROL MEASURES ADDED	13/05/16
04	FOR TENDER	24/03/16
03	FOR INFORMATION	26/02/16
02	ISSUE FOR DEVELOPMENT APPLICATION	21/01/16
01	ISSUE FOR 50% CONCEPT	18/12/15

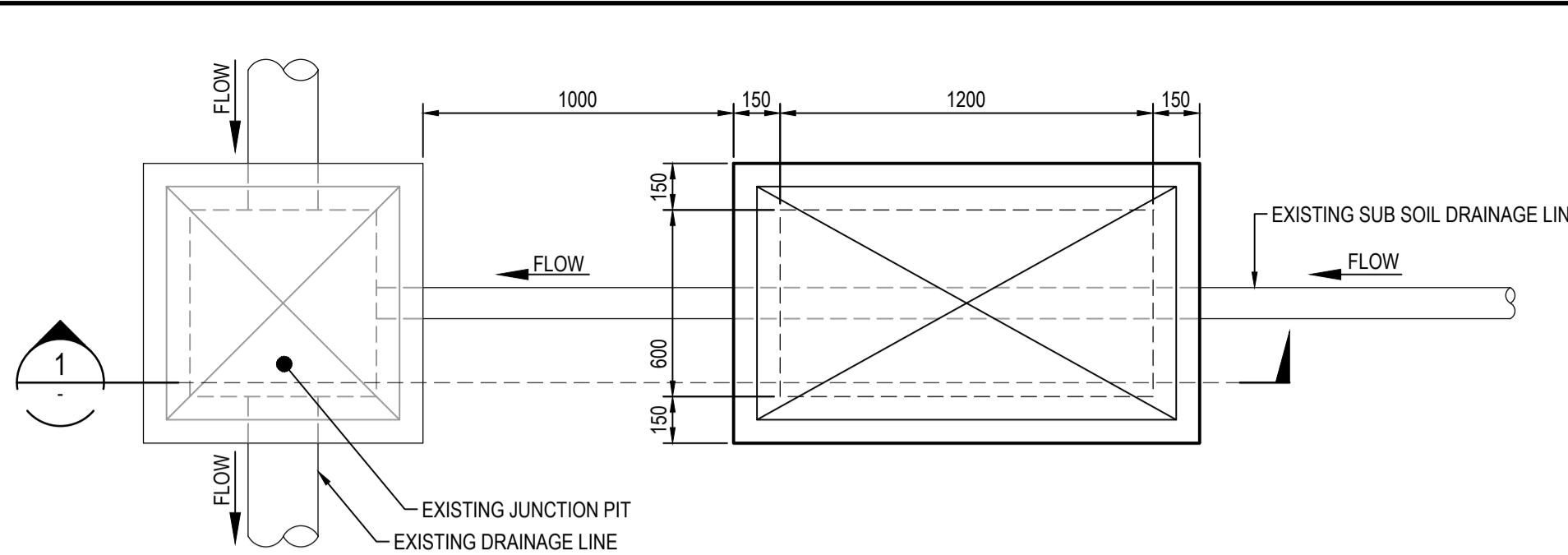


TENDER	
NOT TO BE USED FOR CONSTRUCTION	
Original Size	A1
Height Datum	AHD
Grid	MGA
Current Issue Signatures	Drawn: M. OLAYA, Designed: B. CHISWELL, Checked: M. KURTZ, Approved: A. BYRNE
Filename:	C-SC-251-AA008613-nsd-SiteworksDetailsSheet1.dwg

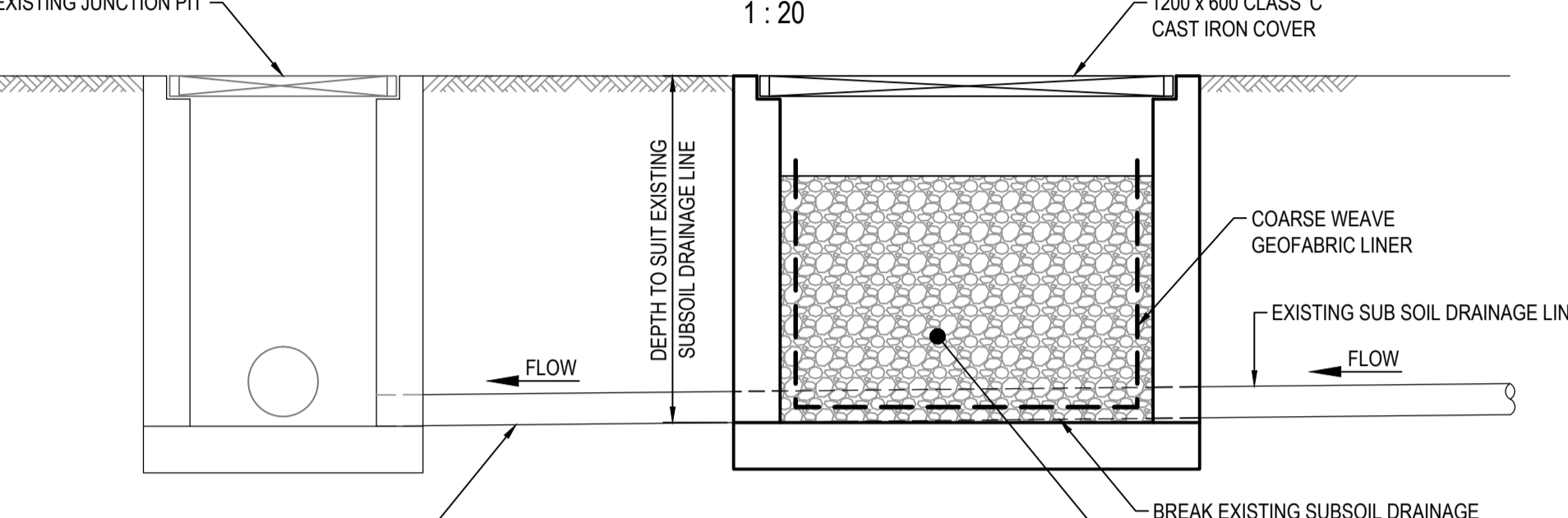
SOUTHERN HIGHLANDS REGIONAL SHOOTING COMPLEX	
SITWORKS DETAILS SHEET 1	

ARCADIS
Arcadis Australia Pacific Pty Limited
Level 5, 141 Walker Street
NORTH SYDNEY NSW 2060
ABN 76 104 485 289
Tel: +61 (0)2 8907 9000
Fax: +61 (0)2 8907 9001
www.arcadis.com

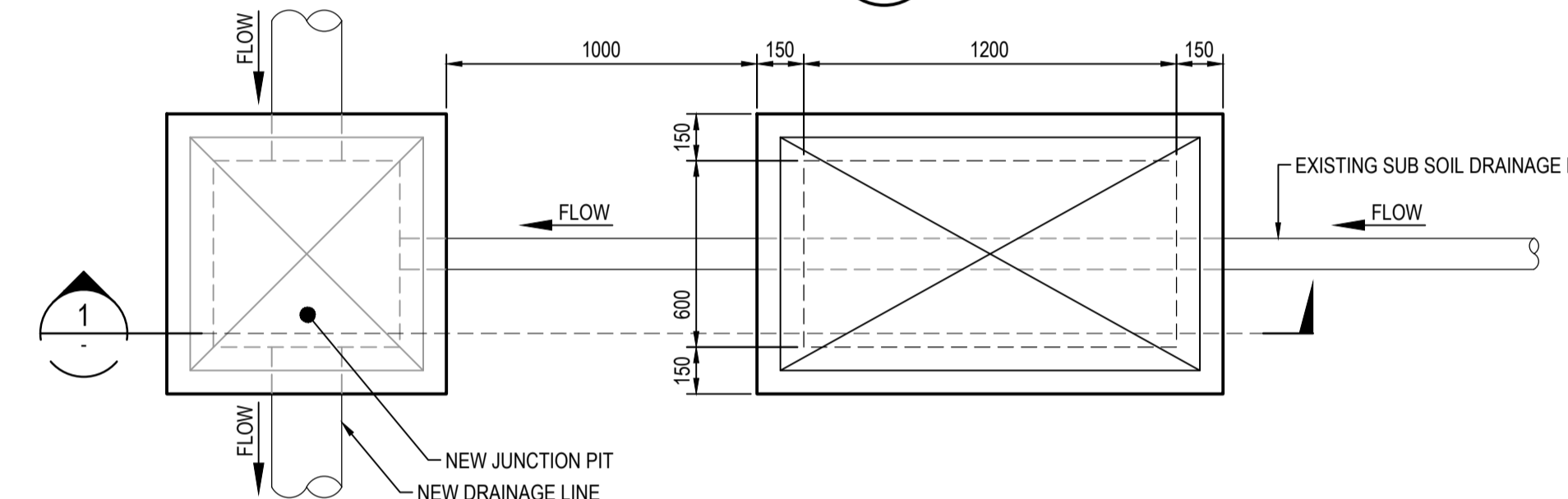
Drawing No. C-SC-251 - AA008613 - 08
Project No. AA008613
Issue



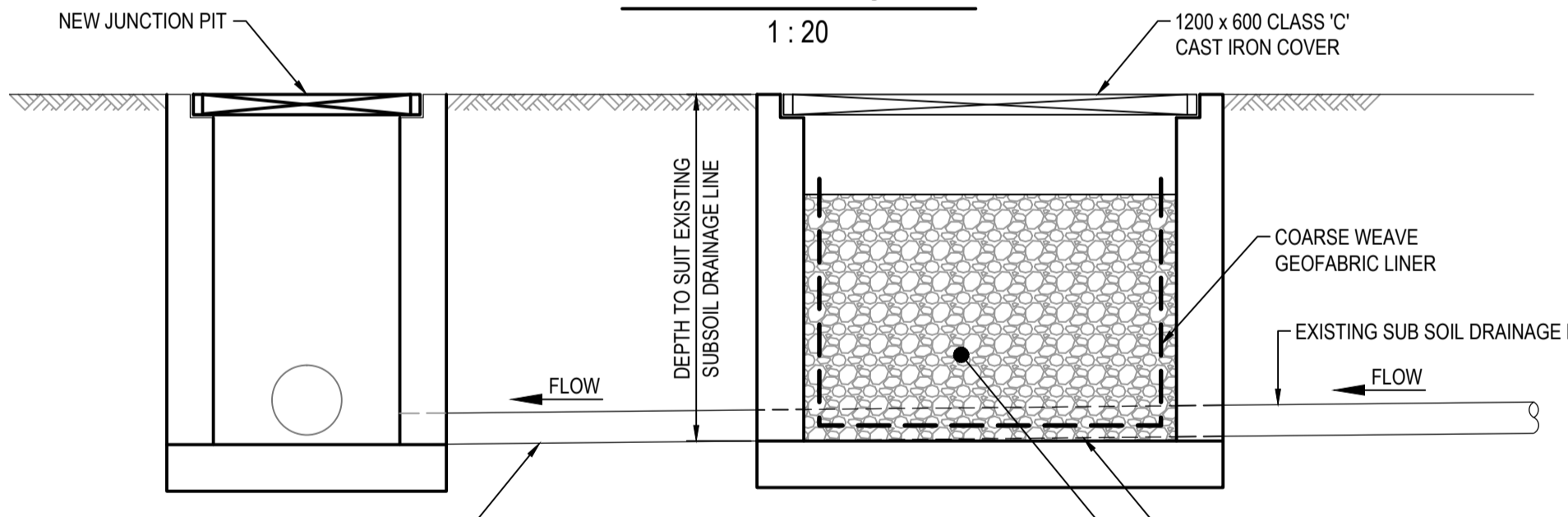
LIME TREATMENT PIT DETAIL FOR EXISTING DRAINAGE PIT
1:20



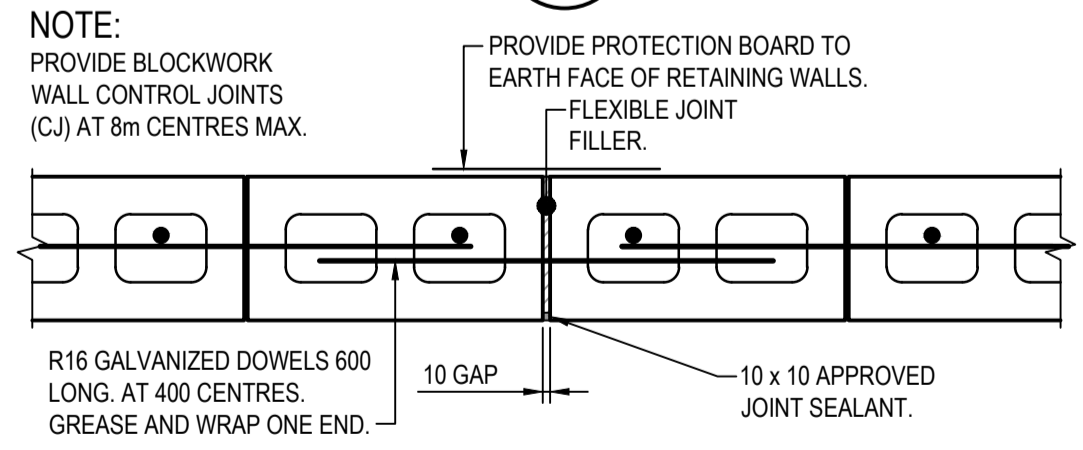
SECTION 1
1:20



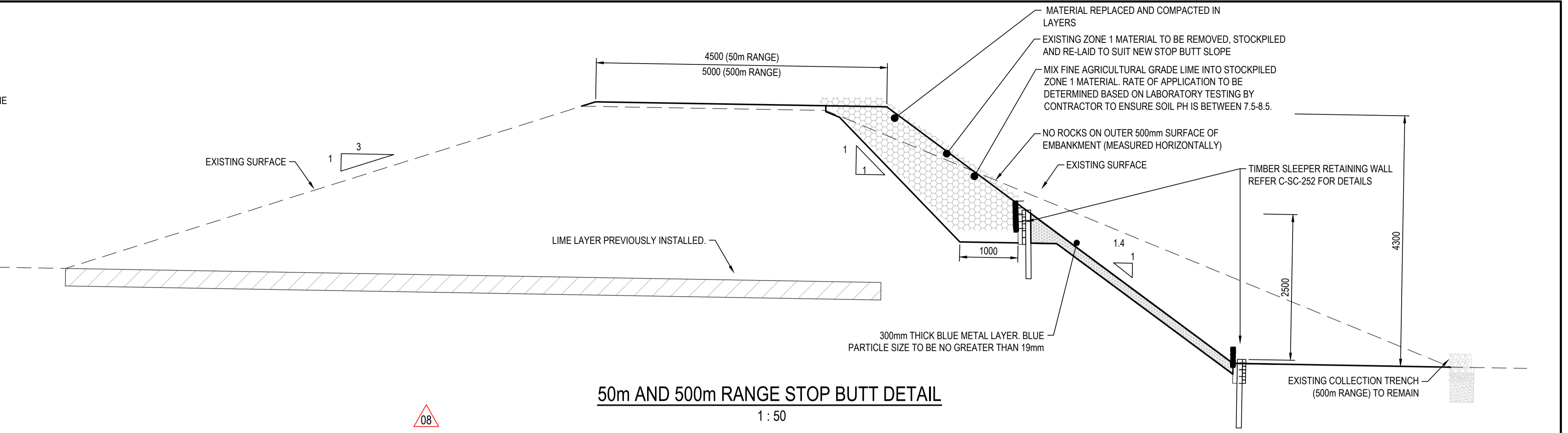
LIME TREATMENT PIT DETAIL FOR NEW DRAINAGE PIT
1:20



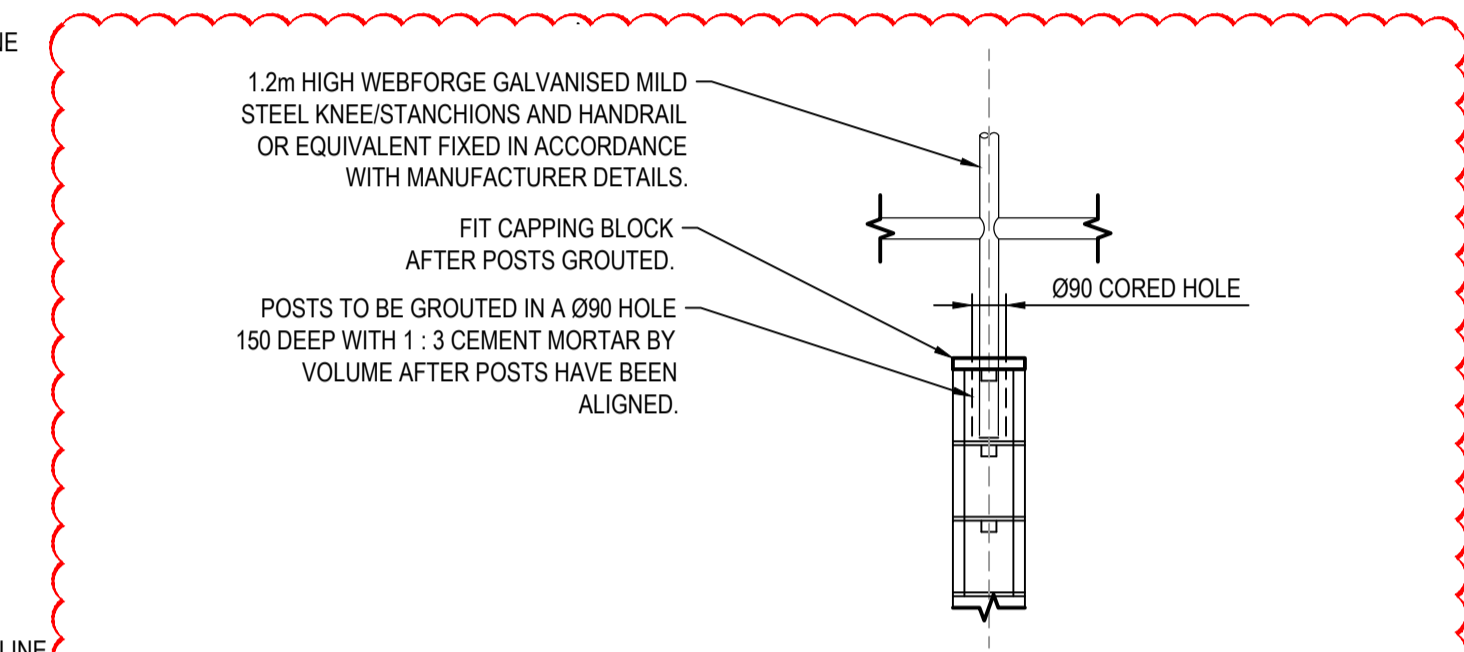
SECTION 1
1:20



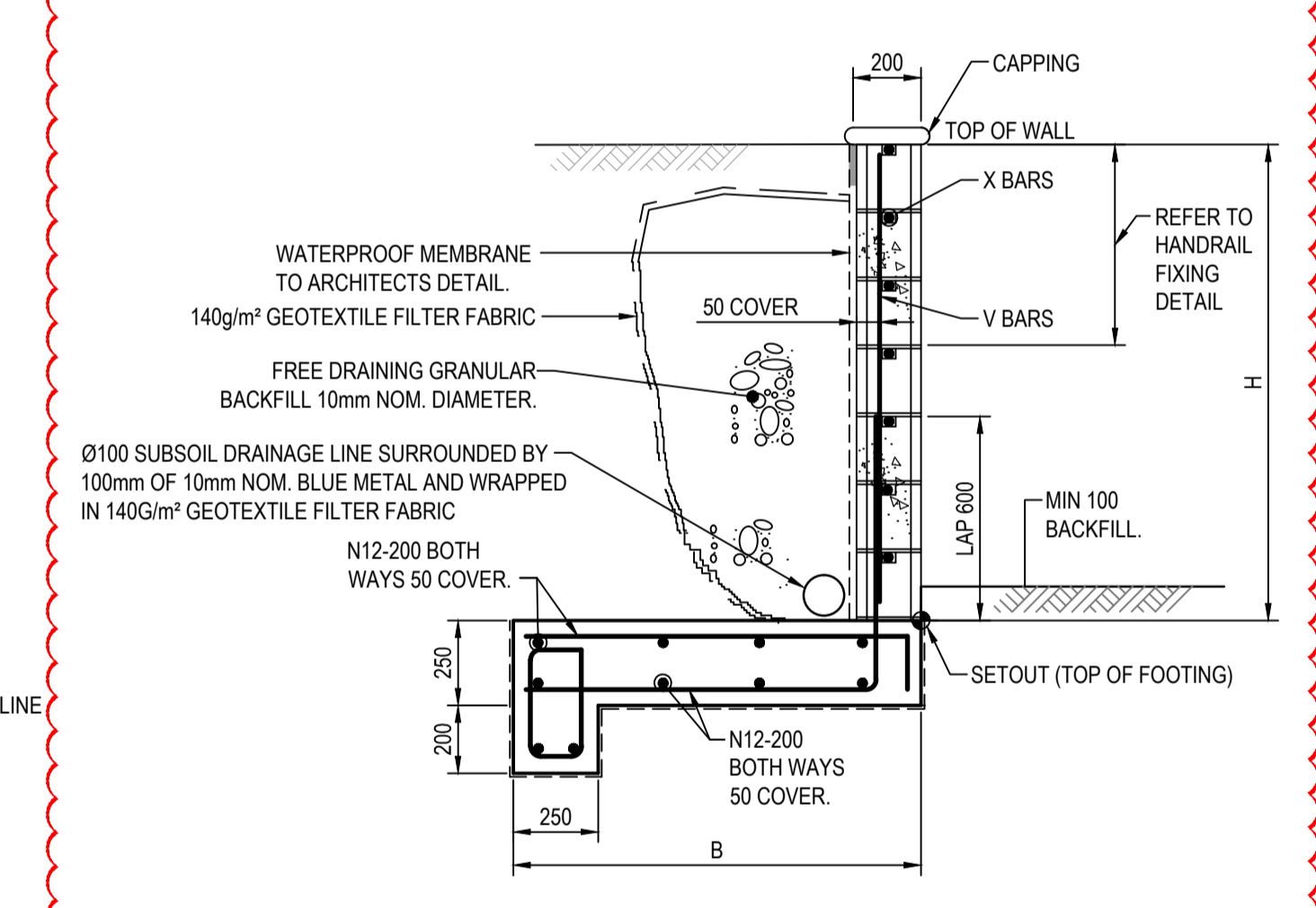
BLOCKWORK WALL CONTROL JOINT (C.J.)
1:10



50m AND 500m RANGE STOP BUTT DETAIL
1:50

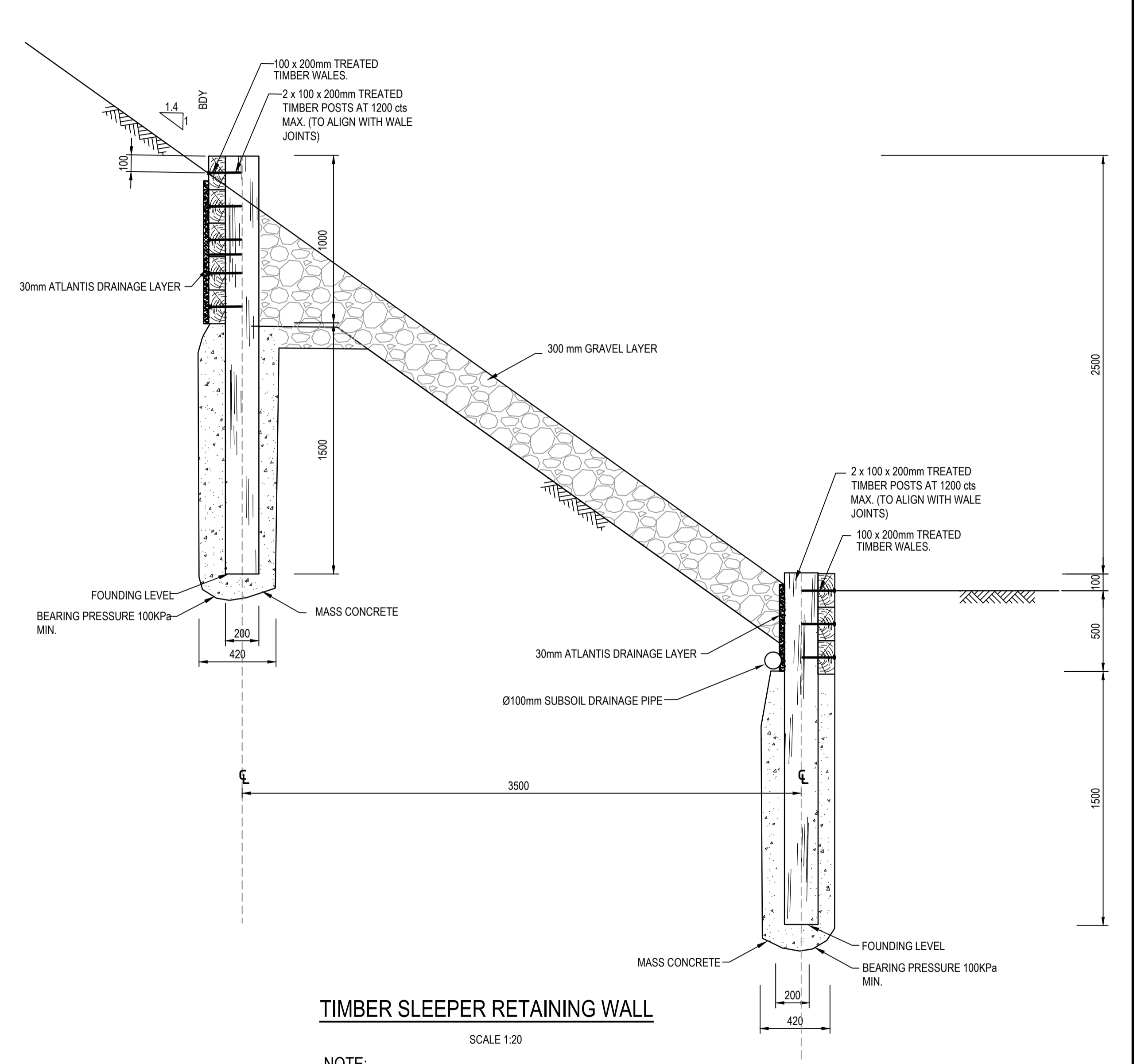


HANDRAIL FIXING DETAIL
1:20



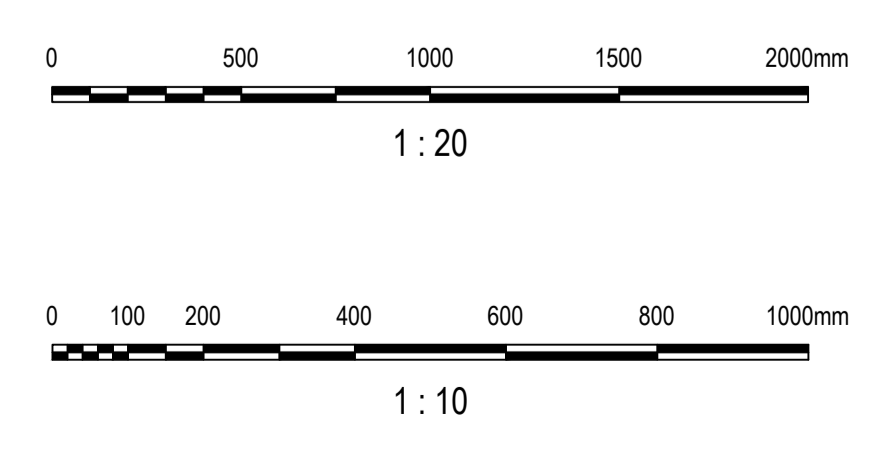
MW01 - BLOCKWORK RETAINING WALL DETAIL
1:20

RETAINING WALL SCHEDULE		
WALL HEIGHT "H"(mm)	BASE WIDTH B(mm)	REINFORCEMENT DETAILS X AND V
200mm BLOCKS		
600	600	N12 @ 400
800	900	N12 @ 400
1000	1000	N12 @ 400
1200	1100	N12 @ 400



TIMBER SLEEPER RETAINING WALL
SCALE 1:20

NOTE:
1. ALL TIMBER TO BE GRADE F14 (MIN) HARDWOOD DURABILITY CLASS 1 WITH ANY SAPWOOD PRESERVATIVE TREATED TO H5 LEVEL



Issue	Description	Date
08	DETAILS UPDATED	09/06/16
07	DETAILS UPDATED	31/05/16
06	FOR TENDER	27/05/16
05	DETAILS UPDATED	16/05/16
04	DETAILS UPDATED	13/05/16
03	FOR TENDER	05/04/16
02	FOR TENDER	24/03/16
01	FOR INFORMATION	26/02/16

Client

Status

TENDER
NOT TO BE USED FOR CONSTRUCTION

Scales AS SHOWN

Original Size A1

Height Datum AHD

Grid MGA

Filename: C-SC-252-AA008613-nsd-SiteworksDetailsSheet2.dwg

Project

SOUTHERN HIGHLANDS REGIONAL SHOOTING COMPLEX

Title

SITWORKS DETAILS SHEET 2

Arcadis Australia Pacific Pty Limited
Level 5, 141 Walker Street
NORTH SYDNEY NSW 2060
ABN 76 104 485 289

Tel: +61 (0)2 8907 9000
Fax: +61 (0)2 8907 9001
www.arcadis.com

Drawing No. C-SC-252 - AA008613 - 08
Project No. AA008613
Issue 08